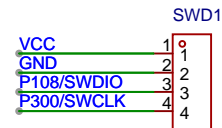
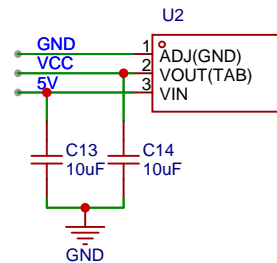
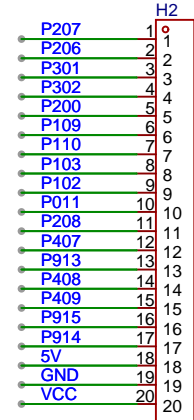
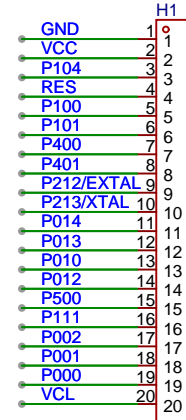
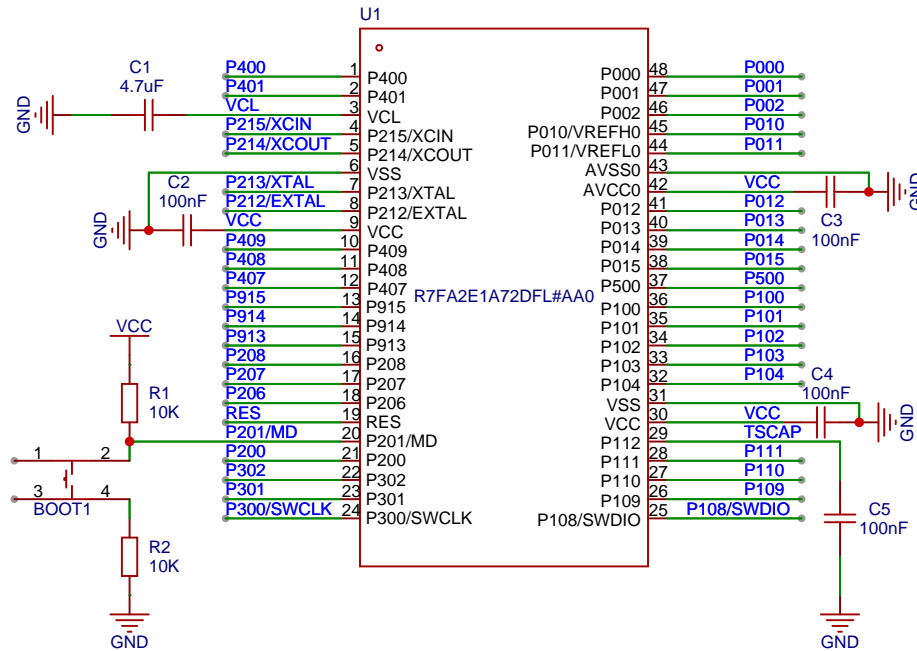


主控芯片 : R7FA2E1A72DFL、R7FA2L1AB2DFL



Schematic	Schematic1		Update Date	2023-07-05	
			Create Date		
Page			Part Number		
Drawn			RA2小板		
Reviewed					
			VER	SIZE	PAGE 1 OF 1
			V1.0	A4	

